

# North Atlantic Sail Drawings Scale 1 : 96

by Mike Keating

Notes:

Masthead light is shown as a rectangle, since these could vary from boat to boat

The windows, personnel access door, access door handle & step, running lights, stern light, bridge layout, lookout positions, periscopes, radar, the two masts aft of the radar and the snorkel locations were similar on all North Atlantic Sails.

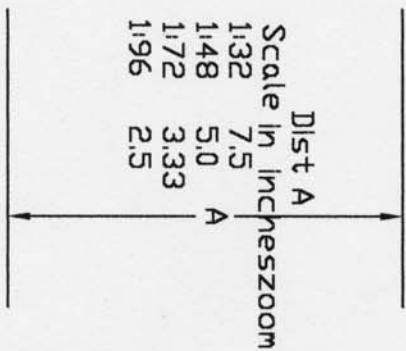
The railing, sail exterior ladder, main induction and main and main induction choke access hatches, other masts and the whip antennas could vary from boat to boat. These items may be added or removed, according to the boat being built

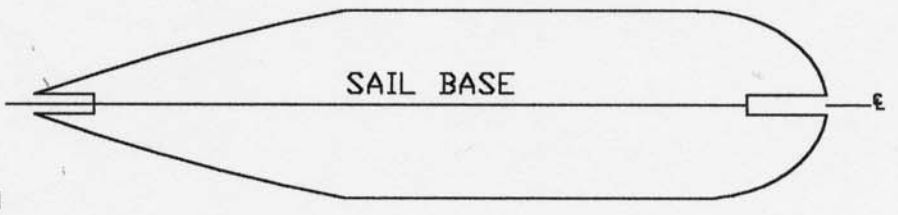
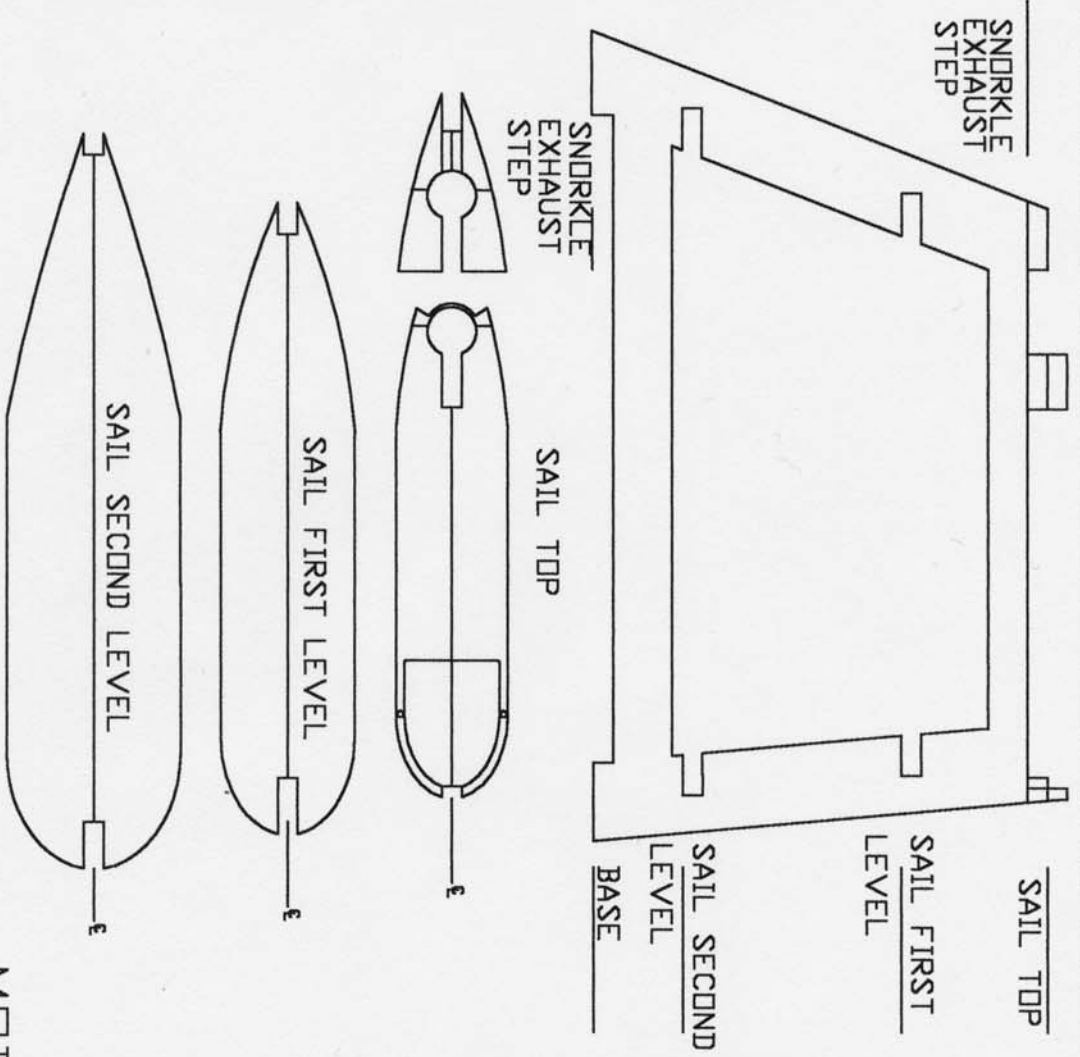
Since the snorkle defusser could vary in size and shape, the one shown is over size and will probable have to be build and then sanded to shape and size.

The drawings (3) in this set are based on the prints of the USS Bang from Floating Drydock. Model builders will have to obtain more data on the boat they are modeling if they wish greater detail then available on these drawings.

The detail drawing is close enough that it should be possible to cut the drawings out and lay them over the completed sail and trace the details on to it.

Plotting area  
32" X 22"  
at 3/8"=1'  
1/32 Scale



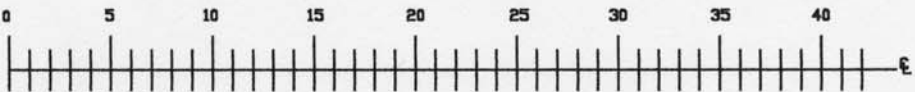
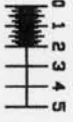
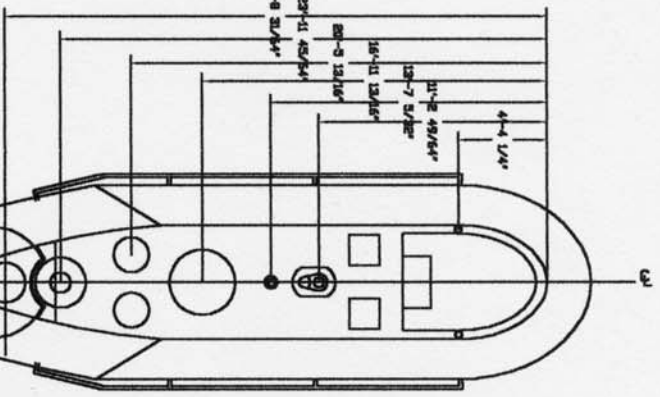
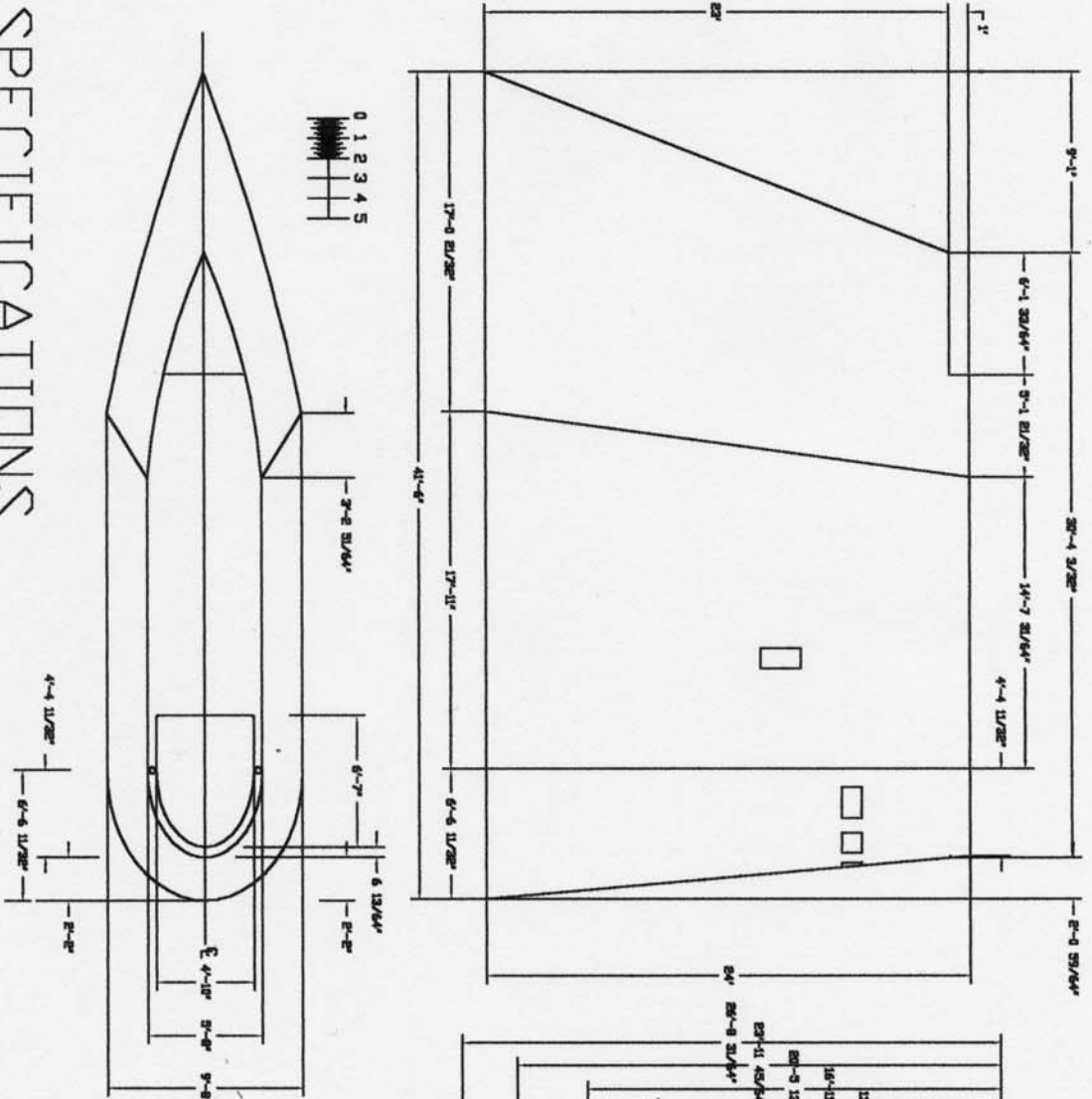


Scale	Dist A in Inches
1:32	7.5
1:48	5.0
1:72	3.33
1:96	2.5

MODEL

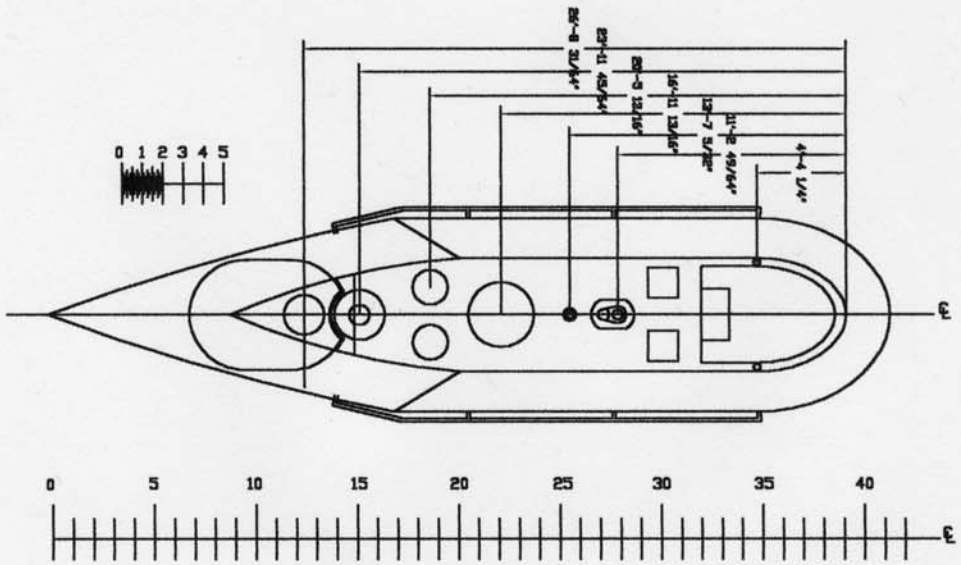
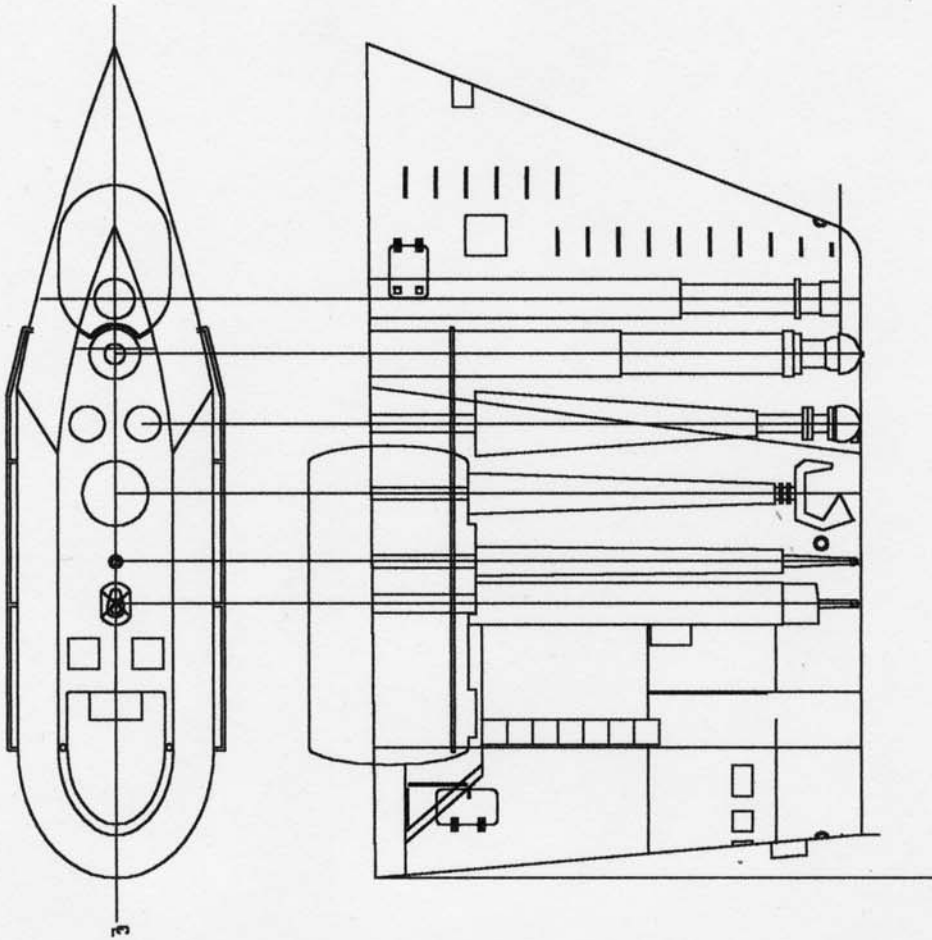
Plotting area  
31 1/8" X 22"  
at 3/8"=1'  
1/32 Scale

# SPECIFICATIONS

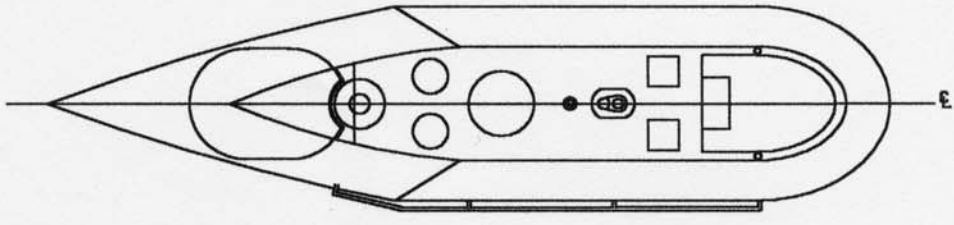
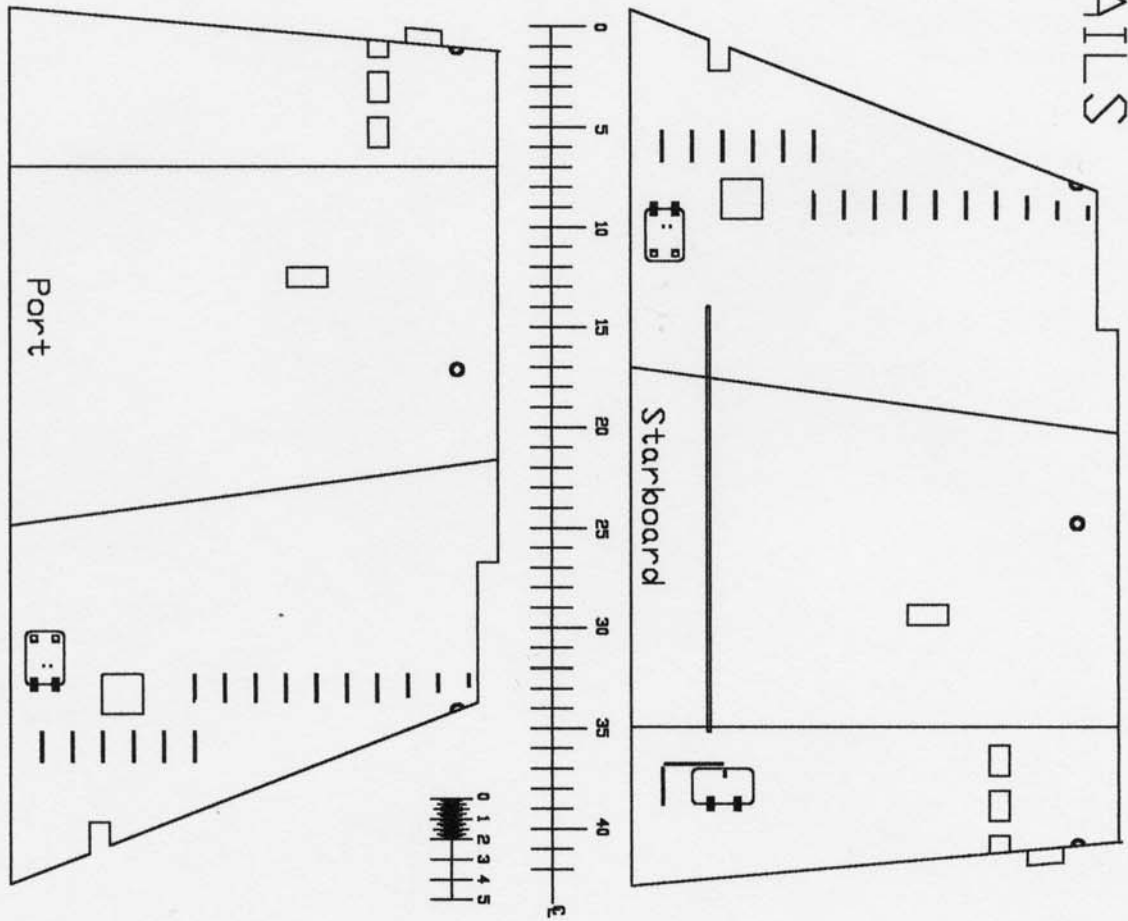


Plotting area  
 31 1/8" X 22"  
 at 3/8"=1'  
 1/32 Scale

# SPECIFICATIONS #2



# DETAILS



Plotting area  
31 1/8" X 22"  
at 3/8"=1'  
1/32 Scale